



Working Gear

GALEO

# SUPER LONG FRONT

PC200/PC200LC/PC220/PC220LC/PC300LC



■ For work of light duty  
(PC200LC handling construction materials)



■ For work of gathering underwater gravels (PC300LC)

**Super Long Front enables you to reach out even farther, higher and deeper**

## ● For Work of Light Duty (PC200— PC220LC)

- Dredging rivers, lakes and ponds (including reservoirs and settling basins)
- Slope building --- Forming and finishing
- Handling construction materials like ready mixed concrete, aggregate and sand
- Farmland improvement, soil dressing as well as exposure of marsh bed-ding formation and leveling after draining water

## ● For Work of Gathering Underwater Gravels (PC300LC)

- Excavating ancient riverbeds for sand and gravel after removing the over-burden
- Excavating soft ground deeply --- Digging ditches and holes in general as well as sinking shafts
- Scooping sand and grave from a riverbed or riparian land, and river im-provement

**KOMATSU®**

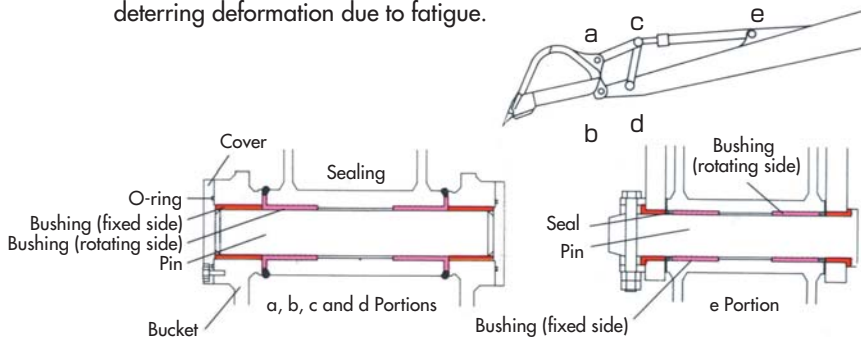
**■ Features**

**Light and Sturdy Design**

- Ribbs, which are properly arranged inside the boom and arm, now ensures both light weight and high rigidity against torsional force.

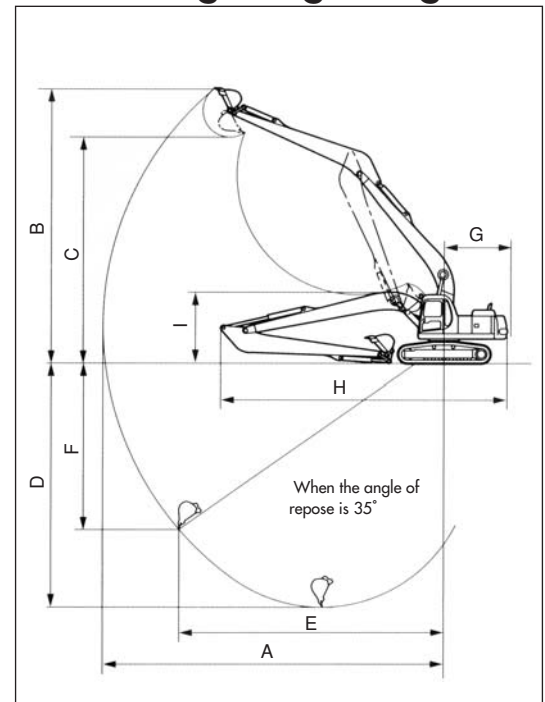
**Outstanding Wear Resistance in Work of Gathering Underwater Gravels**

- A hermetical flooring seal is employed for the bucket pins to prevent dust from entering. In addition, a hard busing is used where each pin is fixed, aiming at deterring deformation due to fatigue.



- The machine for work of light duty must not be used for digging work.
- Neither the machine may be used for working nor traveling on a rocky terrain.

**■ Working Range Diagram**



**■ Specifications**

Spec. Item	Unit	For work of light duty				For work of gathering underwater gravels		
		PC200	PC200LC	PC220	PC220LC	PC300LC		
Operating Weight	kg/lb	21410/47200	25900/57100	25600/56440	26950/59410	35600/78480		
Bucket Capacity	(SAE)	m <sup>3</sup> (cu.yd)	0.37(0.48)	0.29(0.38)	0.29(0.38)	0.45(0.59)	0.69(0.90)	
	(CECE)	m <sup>3</sup> (cu.yd)	0.35(0.46)	0.26(0.34)	0.26(0.34)	0.40(0.52)	0.60(0.78)	
Bucket Width	mm/ft.in	860/2'10"	720/2'4"	720/2'4"	955/3'2"	800/2'7"		
Shoe Width (std.)	mm/ft.in	600/2'	700/2'4"	600/2'	700/2'4"	700/2'4"		
Ground Pressure	kgf/cm <sup>2</sup> (PSI/kPa)	0.50(7.08/48.8)	0.46(6.58/45.4)	0.57(8.18/56.4)	0.47(6.68/46.1)	0.58(8.25/56.9)		
Working Range	Max. Digging Radius	A	mm/ft.in	15250/50'	18340/60'2"	18360/60'3"	18360/60'3"	16570/54'4"
	Max. Digging Height	B	mm/ft.in	13725/45'	15050/49'5"	15120/49'7"	15120/49'7"	12740/41'10"
	Max. Dumping Height	C	mm/ft.in	11520/37'10"	12900/42'4"	12980/42'7"	12980/42'7"	9930/32'7"
	Max. Digging Depth	D	mm/ft.in	11525/37'10"	14610/47'11"	14645/48'1"	14645/48'1"	12720/41'9"
	Digging Radius ( 35°Repose angle )	E	mm/ft.in	12510/41'11"	14865/48'9"	14830/48'8"	14895/48'10"	13350/43'10"
	Digging Depth ( 35°Repose angle )	F	mm/ft.in	6830/22'5"	8850/29'	8900/29'2"	8810/28'11"	7750/25'5"
Tail Swing Radius	G	mm/ft.in	2905/9'6"	2955/9'8"	2955/9'8"	2955/9'8"	3595/11'10"	
Folded	Overall Length	H	mm/ft.in	12520/41'11"	14415/47'4"	14430/47'4"	14430/47'4"	13930/45'8"
	Overall Height	I	mm/ft.in	3100/10'2"	3230/10'7"	3235/10'7"	3235/10'7"	3480/11'5"

- The photos or illustrations may partially differ from the standard specifications of super long front.
- For precautions when operating the machine, refer to the operation and maintenance manual.

©2006 Komatsu Printed in Japan 2006W1

**KOMATSU®**  
**Komatsu Ltd.**

3-6 Akasaka 2-chome, Minato-ku  
Tokyo 107-8414, Japan  
Phone:(81)-3-5561-2787  
Fax:(81)-3-3587-2928